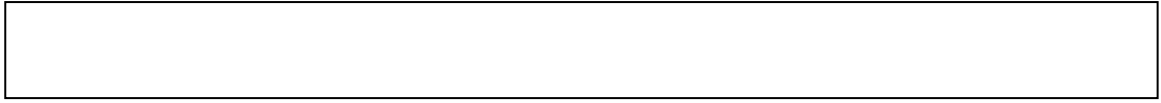
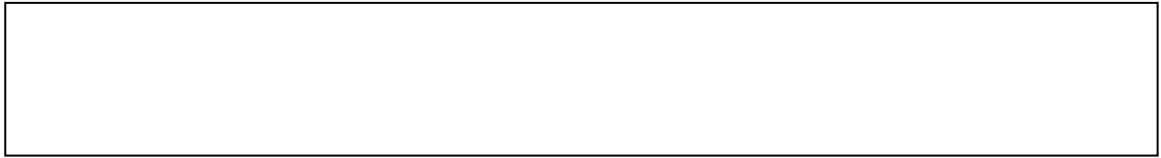

A2

2019.03

-\$ <

.....	1
.....	2
.....	3
.....	5
.....	6
.....	8



1.1
2

1 4
5

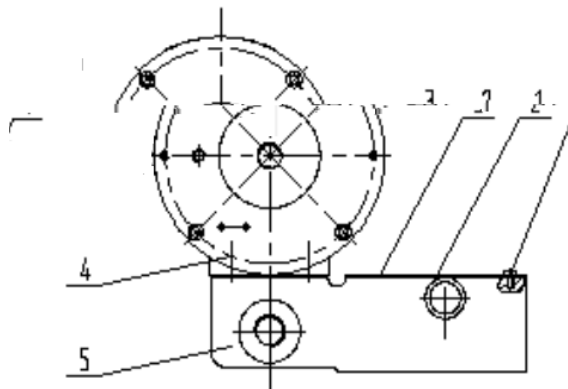
2

3
4 4

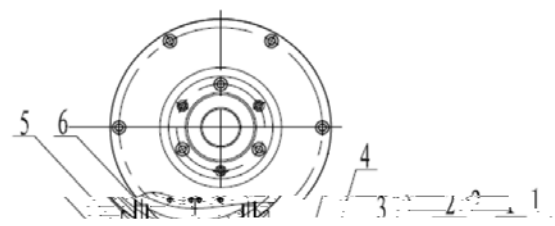
1.2
1 4
5
5

2

3
4 4
6 4

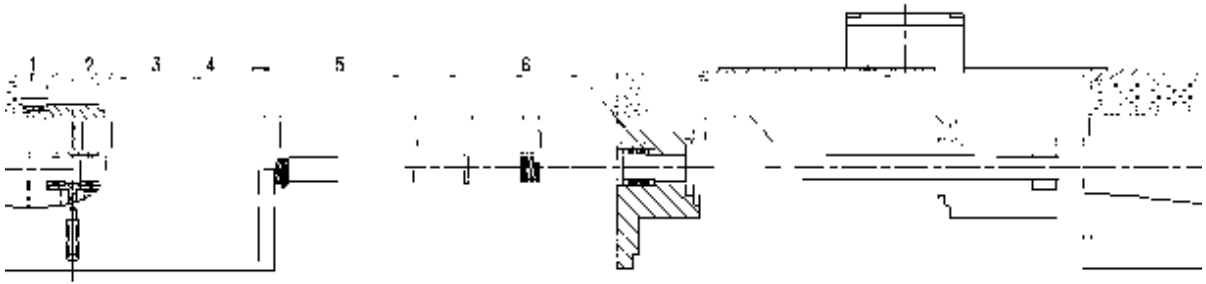


1.1



1.2

3



1.3

1.3

1

2

3

4

6

5

6

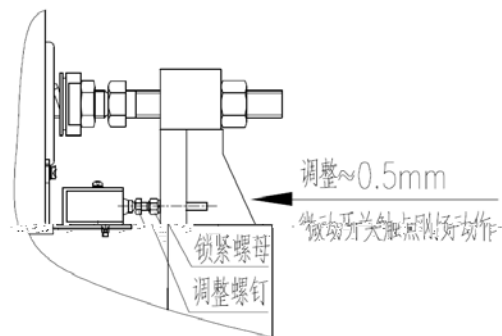
4

1

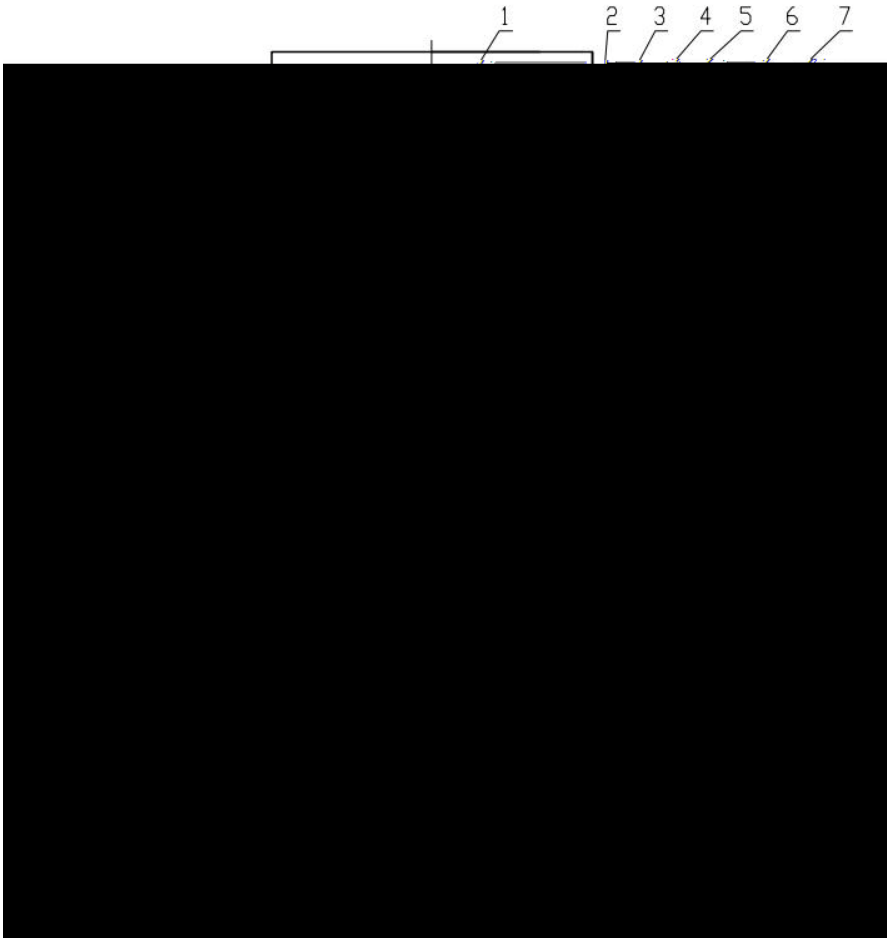
2

1.4

0.5mm



1.4



1

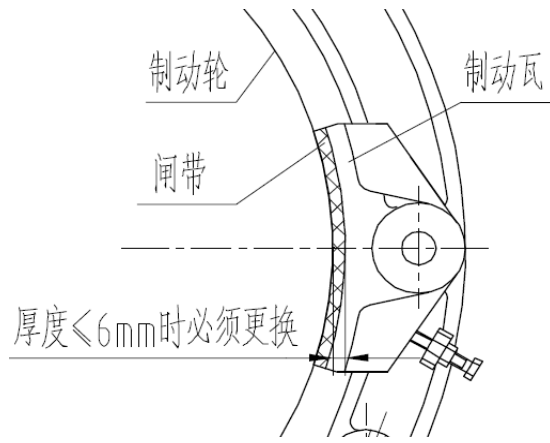
2

3

4

6mm

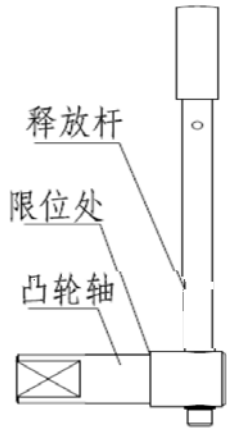
1.6



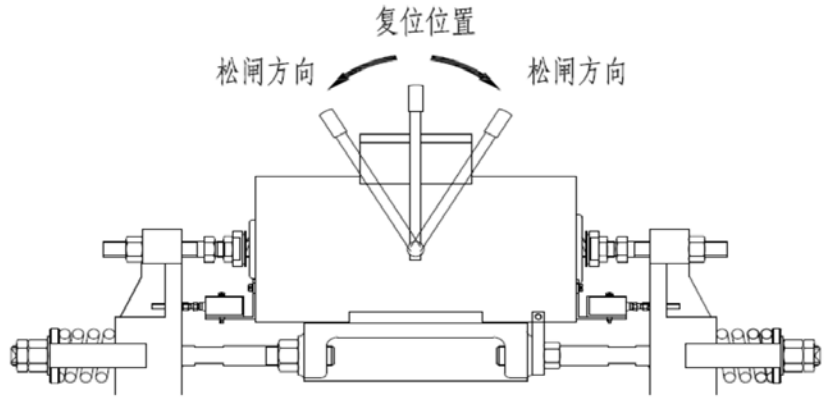
1.6

1

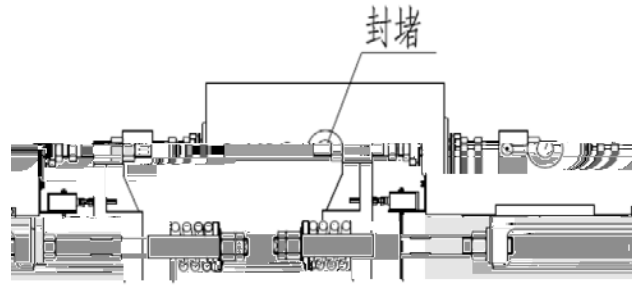
1.7



1.7



1.8



1.9

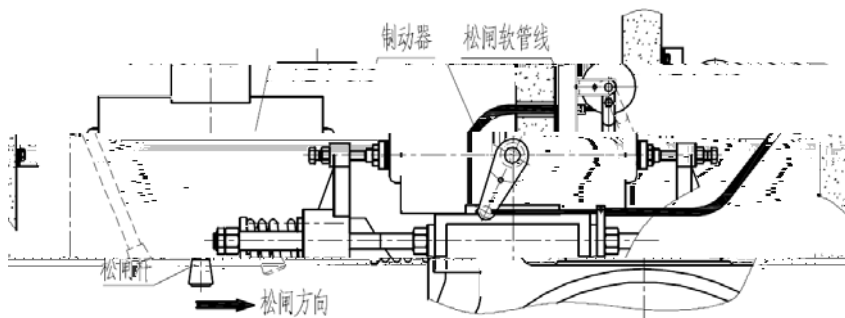
2

2.0

1

2

250mm



2.0

1

2

3

4

1.9

5

6

7